

FREE FLOAT TYPE TRAP

自由浮球式疏水阀



产品说明 Product Manual

CS41H-16、CS41H-16C、CS41-25、CS41-40 型自由浮球式蒸汽疏水阀：法兰连接、浮球式结构形式，阀座密封面材料为 Cr13 系不锈钢，公称压力 PN16~PN40，阀体材料为铸铁（CS41H-16）、碳钢（CS41H-16C、CS41-25、CS41-40）的蒸汽疏水阀。用于蒸汽加热设备、蒸汽管网和凝结水回收系统，它能迅速、自动、连续地排除凝结水，有效地阻止蒸汽泄漏。

工作原理：自由浮球式蒸汽疏水阀利用浮力原理，浮球根据凝结水量的多少，随水位的变化而作升降，自动调节阀座孔的开度，连续排放凝结水，当凝结水停止进入时，浮球降的底部，回到关闭位置，排水停止，由于排水阀座孔总是在凝结水位以下，形成水封、水、气自然分离，达到无蒸汽泄漏。

产品特点：①能拓饱和凝结水，回执设备内不含有水先积聚，从而获得最高的加热效率。②蒸汽压力变化时，不受影响，能连续工作性能稳定。③漏汽变幻无常小，采用先进研磨工艺制造，浮球精度高，密封性能好。④自动排空气性能好。⑤寿命长，浮球的整个球面都可以做密封面，无集中磨损。

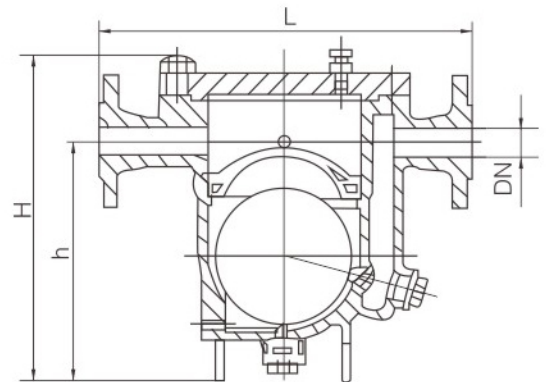
CS41H-16, CS41H-16C, CS41-25, CS41-40-type free float steam trap: flange connection, float type structure, seat sealing surface material is Cr13 series stainless steel, nominal pressure PN16 ~ PN40, The valve body material is cast iron (CS41H-16), carbon steel (CS41H-16C, CS41-25, CS41-40) steam traps. For steam heating equipment, steam pipe network and condensate recovery system, it can quickly, automatically and continuously exclude condensate, effectively prevent steam leakage.

How it works: Free float steam traps The use of buoyancy principle, according to the amount of float water float, with the water level changes for the lift, automatically adjust the seat hole opening, continuous discharge condensate, when the condensate stops entering, The bottom of the float down to return to the closed position, drainage stop, because the drainage valve seat hole is always below the condensing water level to form a water seal, water, natural gas separation to achieve no steam leakage.

Features: ① can expand the saturated condensate, the receipt device does not contain water within the first accumulation, so as to obtain the highest heating efficiency. ② steam pressure changes, is not affected, can work continuously and stable performance. ③ leakage of volatile impermanence, the use of advanced grinding process, high precision float, sealing performance. ④ automatic exhaust air performance. ⑤ long life, the ball can do the whole spherical sealing surface, no concentration of wear and tear.



CS41H-16~40 C, P, R



主要零件材料 Main Parts Materials

型号 model	阀体材料 Body material
CS41H-16	铸铁
CS41H-16C	碳钢
CS41H-25	碳钢
CS41H-40	碳钢

FREE FLOAT TYPE TRAP

自由浮球式疏水阀

Scientific Technological Innovation
Source of Prosperity

产品性能参数 Product Performance Parameters

型号 model	PN	工作压力 MPa Working pressure MPa	适用温度 °C proper temperature °C	适用介质 Applicable media
CS41H-16	16	1.6	≤200	水、蒸汽
CS41H-16C	16	1.6	≤425	水、蒸汽
CS41H-25	25	2.5	≤350	水、蒸汽
CS41H-40	40	4.0	≤425	水、蒸汽

主要外形尺寸 Main Dimensions

CS41H-16			CS41H-16(II)	
DN	15	20	DN	25
D	170	200	L	310
H	127	142	H	240
h	80	90	h	178
重量WT/kg	3.5	4.5	重量WT/kg	15

主要外形尺寸 Main Dimensions

CS41H-16C CS41H-40(I)				CS41H-16C CS41H-40(II)			
DN	15	20	25	DN	25	40	50
L	230	230	230	D	320	320	320
H	220	220	220	H	295	295	295
h	150	150	150	h	210	210	210

主要外形尺寸 Main Dimensions

CS41H-16C CS41H-40(III)				CS41H-16C CS41H-40(IV)		
DN	50	65	80	DN	80	100
L	430	430	430	D	580	580
H	410	410	410	H	540	540
h	290	290	290	h	390	390

FREE FLOAT TYPE TRAP

自由浮球式疏水阀



产品排水量表 (过冷度为6°C时的连续排量) Product Displacement Table (Continuous Displacement at Subcooling of 6 ° C)

工作压差 Working pressure/MPa		0.05	0.1	0.2	0.5	0.8	1.2	1.6
排水量 Displacement	CS41H-16	160	230	300	—	—	—	—
		110	160	250	360	—	—	—
		90	130	200	280	290	—	—
		50	80	120	180	210	260	—
		40	50	80	140	170	210	260
	CS41H-16Ⅱ (Φ120)	1400	2000	2800	—	—	—	—
		1000	1300	1800	3100	—	—	—
		800	1000	1400	2500	3500	—	—
		600	800	1100	2000	2900	3800	—
		500	600	900	1800	2600	3300	3800

产品排水量表 Product Displacement Table

工作压差 Working pressure/MPa		0.05	0.1	0.2	0.5	0.8	1.2	1.6
排水量 Displacement	产品代号 product code I (Φ68)	180	210	280	450	560	620	660
	产品代号 product code II (Φ120)	500	600	900	1800	2600	3300	3800
	产品代号 product code III (Φ190)	2820	4200	5080	7000	8530	10200	12100
	产品代号 product code IV (Φ220)	4200	6800	8500	10270	12400	15800	18500

产品排水量表 Product Displacement Table

工作压差 Working pressure/MPa		0.03	0.5	1.2	1.6	2.0	2.4	3.0	3.6	4.0
排水量 Displacement	产品代号 product code I (Φ68)	100	270	380	440	480	520	580	610	630
	产品代号 product code II (Φ120)	400	1100	1620	1900	2100	2280	2560	2780	2900
	产品代号 product code III (Φ190)	1060	2770	4250	4900	5400	5920	6550	7050	7300
	产品代号 product code IV (Φ220)	1580	4160	6430	7520	8450	9000	10000	10800	11200