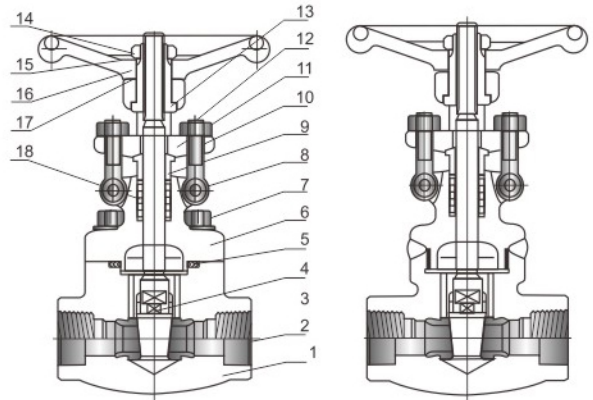


应用规范 Application Standards

设计制造 Design and Manufacture Conform	API 602, BS5352, ANSI B16.34;
连接尺寸 Connection Ends Conform	1)承插口尺寸 Socket welded dimension conform: ANSI B16.11; JB/T 1751 2)螺纹端尺寸 Screw ends dimension conform: ANSI B1.20.1; JB/T7306 3)对焊端尺寸 Butt-welded conform: ANSI B16.25; JB/T12224 4)法兰端尺寸 Flange ends conform: ANSI B16.5; JB79
检查和试验 Test and Inspection Conform	API598; GB/T13927; JB/T9092
结构特性 Structure Features	螺纹连接阀盖(B.B)和明杆支架(OS & Y) 或焊接阀盖(W.B)和明杆支架(OS & Y) Bolted bonnet, outside screw and yoke Welded bonnet, outside screw and yoke
材料标准 Material Conform	ANSI/ASTM
主体材料 Main Material	A105; LF2; F5; F11; F22; 304(L); 316(L); F347; F321; F51; Monel; 20 Alloy合金等。



碳钢温压等级 Carbon steel temperature-pressure rate

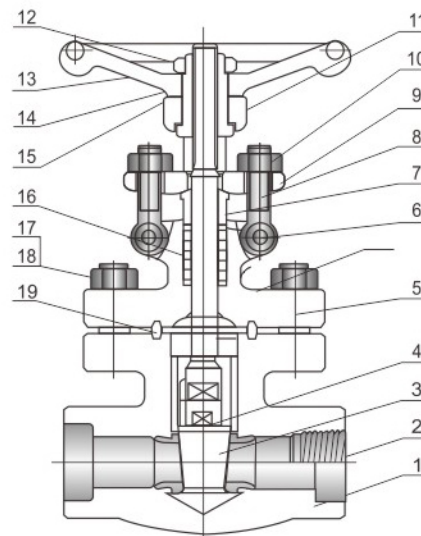
CL 150-285 P.S.I @ 100° F CL 300-740 P.S.I @ 100° F CL 600-1480 P.S.I @ 100° F CL 800-1975 P.S.I @ 100° F CL 1500-3705 P.S.I @ 100° F

典型零件材料表 Main Part Material List

序号No.	零件名称 Part name	A105/F6a	A105/F6aHFS	LF2/304	F11/F6aHF	F304(L)/304(L)	F316(L)/316(L)	F51/F51
1	阀体 Body	A105	A105	LF2	F11	F304(L)	F316(L)	F51
2	座圈 Seat	410	410HF	304	410HF	304(L)	316(L)	F51
3	闸板 Wedge	F6a	F6a	F304	F6aHF	F304(L)	F316(L)	F51
4	阀杆 Stem	410	410	304	410	304(L)	316(L)	F51
5	垫片 Gasket	304+柔性石墨 304+Flexible graphite	304+柔性石墨 304+Flexible graphite	304+柔性石墨 304+Flexible graphite	304+柔性石墨 304+Flexible graphite	304+柔性石墨 304+Flexible graphite	304+柔性石墨 304+Flexible graphite	304+柔性石墨 304+Flexible graphite
6	阀盖 Bonnet	A105	A105	LF2	F11	F304(L)	F316(L)	F51
7	螺栓 Bolt	B7	B7	L7	B16	B8(M)	B8(M)	B8M
8	销 Pin	410	410	410	410	304	304	304
9	填料压套 Gland	410	410	304	410	304	316	F51
10	活节螺栓 Gland eyebolt	B7	B7	L7	B16	B8(M)	B8(M)	B8M
11	填料压板 Gland flange	A105	A105	LF2	F11	F304	F304	F304
12	六角螺母 Hex nut	2H	2H	2H	2H	8(M)	8(M)	8M
13	滑杆螺母 Stem nut	410	410	410	410	410	410	410
14	锁紧螺母 Locking nut	35	35	35	35	35	35	35
15	铭牌 Nameplate	AL	AL	AL	AL	AL	AL	AL
16	手轮 Handwheel	A197	A197	A197	A197	A197	A197	A197
17	润滑垫片 Lubricating gasket	410	410	410	410	410	410	410
18	填料 Packing	石墨 Graphite	石墨 Graphite	石墨 Graphite	石墨 Graphite	石墨 Graphite	石墨 Graphite	石墨 Graphite

应用规范 Application Standards

设计制造 Design and Manufacture Conform	API 602, BS5352, ANSI B16.34;
连接尺寸 Connection Ends Conform	1)承插口尺寸 Socket welded dimension conform: ANSI B16.11; JB/T 1751 2)螺纹端尺寸 Screw ends dimension conform: ANSI B1.20.1; JB/T7306 3)对焊端尺寸 Butt-welded conform: ANSI B16.25; JB/T12224 4)法兰端尺寸 Flange ends conform: ANSI B16.5; JB79
检查和试验 Test and Inspection Conform	API598; GB/T13927; JB/T9092
结构特性 Structure Features	螺纹连接阀盖(B.B)和明杆支架(OS & Y) 或焊接阀盖(W.B)和明杆支架(OS & Y) Bolted bonnet, outside screw and yoke Welded bonnet, outside screw and yoke
材料标准 Material Conform	ANSI/ASTM
主体材料 Main Material	A105; LF2; F5; F11; F22; 304(L); 316(L); F347; F321; F51; Monel; 20 Alloy合金等。



碳钢温压等级 Carbon steel temperature-pressure rate

CL 150-285 P.S.I @ 100° F CL 300-740 P.S.I @ 100° F CL600-1480 P.S.I @ 100° F CL 800-1975 P.S.I @ 100° F CL 1500-3705 P.S.I @ 100° F

典型零件材料表 Main Part Material List

序号No.	零件名称 Part name	A105/F6a	A105/F6aHFS	LF2/304	F11/F6aHF	F304(L)/304(L)	F316(L)/316(L)	F51/F51
1	阀体 Body	A105	A105	LF2	F11	F304(L)	F316(L)	F51
2	座圈 Seat	410	410HF	304	410HF	304(L)	316(L)	F51
3	阀板 Wedge	F6a	F6a	F304	F6aHF	F304(L)	F316(L)	F51
4	阀杆 Stem	410	410	304	410	304(L)	316(L)	F51
5	阀盖 Bonnet	A105	A105	LF2	F11	F304(L)	F316(L)	F51
6	销 Pin	410	410	410	410	304	304	304
7	调料压套 Gland	410	410	304	410	304	316	F51
8	活节螺栓 Gland eyebolt	B7	B7	L7	B16	B8(M)	B8(M)	B8M
9	调料压板 Gland flange	A105	A105	LF2	F11	F304	F304	F304
10	六角螺母 Hex nut	2H	2H	2H	2H	8(M)	8(M)	8M
11	滑杆螺母 Stem nut	410	410	410	410	410	410	410
12	锁紧螺母 Locking nut	35	35	35	35	35	35	35
13	铭牌 Nameplate	AL	AL	AL	AL	AL	AL	AL
14	手轮 Handwheel	A197	A197	A197	A197	A197	A197	A197
15	润滑垫片 Lubricating gasket	410	410	410	410	410	410	410
16	填料 Packing	石墨 Graphite	石墨 Graphite	石墨 Graphite	石墨 Graphite	石墨 Graphite	石墨 Graphite	石墨 Graphite
17	双头螺栓 Stud	B7	B7	L7	B16	B8(M)	B8(M)	B8(M)
18	螺母 Nut	2H	2H	8	8	8(M)	8(M)	8(M)
19	金属环 Metal ring	304	304	304	304	304(L)	316(L)	F51

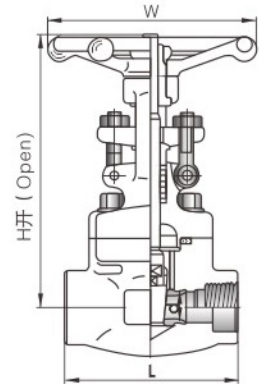
INTERNAL THREAD AND SOCKET WELDING GATE VALVE

内螺纹与承插焊闸阀

Scientific Technological Innovation
Source of Prosperity

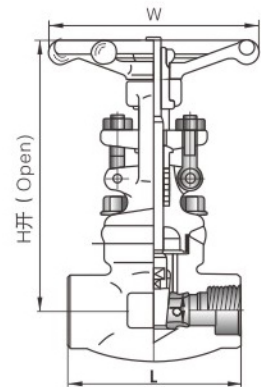
螺栓连接阀盖, 缩径和全径, 明杆支架(OS & Y)末端连接为螺纹或承插焊或对焊, 设计按API 602
Bolted bonnet, full port& reducing port outside screw and yoke(OS & Y)Threaded, built-welded or socket ends; design to API 602

CL800										
规格(NPS) Specification	R.P	-	1/2	3/4	1	1 1/4	1 1/2	2	2 1/2	3
	F.P	1/4	3/8	1/2	3/4	1	1 1/4	1 1/2	2	2 1/2
结构长度(mm) Face to face	L	79	79	92	111	120	120	140	178	180
手轮直径(mm) Hand wheel diameter	W	100	100	100	125	160	160	180	200	220
中心高度(开)(mm) Height	H	161	161	163	196	223	251	290	333	370
流道孔径(mm) Flow port dimension	D	8	10.5	13.5	18	24	29	36.5	45	51
重量Weight(kg)		2.22	2.3	2.39	4.24	5.7	7.05	10.9	16.8	24



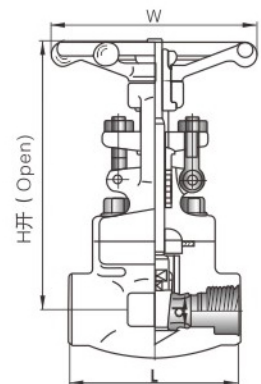
螺栓连接阀盖, 缩径和全径, 明杆支架(OS & Y)末端连接为螺纹或承插焊或对焊, 设计按API 602
Bolted bonnet, full port& reducing port outside screw and yoke(OS & Y)Threaded, built-welded or socket ends; design to API 602

CL800										
规格(NPS) Specification	R.P	-	1/2	3/4	1	1 1/4	1 1/2	2	2 1/2	3
	F.P	1/4	3/8	1/2	3/4	1	1 1/4	1 1/2	2	2 1/2
结构长度(mm) Face to face	L	79	79	92	111	120	120	140	178	180
手轮直径(mm) Hand wheel diameter	W	100	100	100	125	160	160	180	200	220
中心高度(开)(mm) Height	H	161	161	163	196	223	251	290	333	370
流道孔径(mm) Flow port dimension	d	8	10.5	13.5	18	24	29	36.5	45	51
重量Weight(kg)		1.9	1.9	2.1	3.2	5.2	6.9	10.4	15.8	22



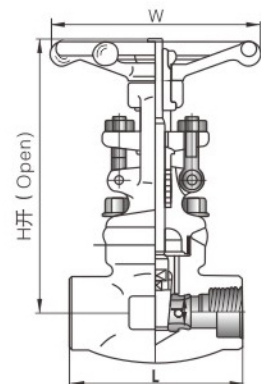
螺栓连接阀盖, 缩径和全径, 明杆支架(OS & Y)末端连接为螺纹或承插焊或对焊, 设计按API 602
Bolted bonnet, full port& reducing port outside screw and yoke(OS & Y)Threaded, built-welded or socket ends; design to API 602

CL900-CL1500										
规格(NPS) Specification	R.P	-	1/2	3/4	1	1 1/4	1 1/2	2	2 1/2	3
	F.P	1/4	3/8	1/2	3/4	1	1 1/4	1 1/2	2	2 1/2
结构长度(mm) Face to face	L	92	111	111	120	120	140	178	180	-
手轮直径(mm) Hand wheel diameter	W	100	125	125	160	160	180	200	220	-
中心高度(开)(mm) Height	H	191	191	192	219	243	296	316	370	-
流道孔径(mm) Flow port dimension	d	8	10.5	13.5	18	24	29	36.5	45	-
重量Weight(kg)		2.4	4.3	4.4	6	7.2	11.4	16	23	-



螺栓连接阀盖, 缩径和全径, 明杆支架(OS & Y)末端连接为螺纹或承插焊或对焊, 设计按API 602
Bolted bonnet, full port& reducing port outside screw and yoke(OS & Y)Threaded, built-welded or socket ends; design to API 602

CL900-CL1500										
规格(NPS) Specification	R.P	-	1/2	3/4	1	1 1/4	1 1/2	2	2 1/2	3
	F.P	1/4	3/8	1/2	3/4	1	1 1/4	1 1/2	2	2 1/2
结构长度(mm) Face to face	L	92	111	111	120	120	140	178	180	-
手轮直径(mm) Hand wheel diameter	W	100	125	125	160	160	160	200	220	-
中心高度(开)(mm) Height	H	171	207	207	240	258	330	355	370	-
流道孔径(mm) Flow port dimension	d	8	10.5	13.5	18	24	29	36.5	45	-
重量Weight(kg)		2.3	4	4	4.8	7.1	11	16	22.8	-



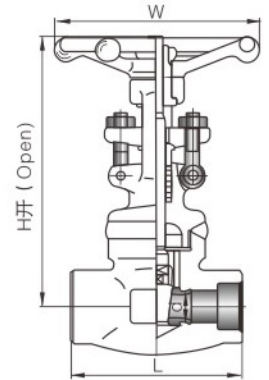
INTERNAL THREAD AND SOCKET WELDING GATE VALVE

内螺纹与承插焊闸阀



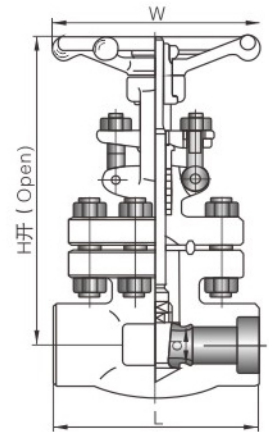
焊接连接阀盖，全径，明杆支架(OS & Y)末端连接为承插连接，设计按ASME B16.34
Welded bonnet, full port outside screw and yoke(OS & Y)Socket welded ends, design conform to ASME B 16.34

CL2500									
规格(NPS) Specification		1/4	3/8	1/2	3/4	1	1 1/4	2	
结构长度(mm) Face to face	L		111	120	120	120	140		
手轮直径(mm) Hand wheel diameter	W		125	160	160	180	220		
中心高度(开)(mm) Height	H		215	218	220	238	281		
流道孔径(mm) Flow port diameter	d		14	14	14	19	25		
重量Weight(kg)			7	8.5	8.7	11.7	17		



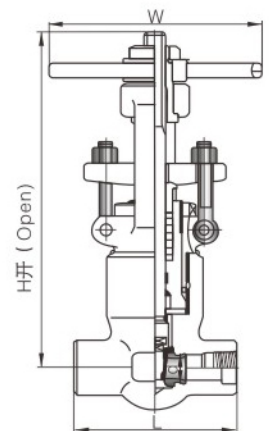
焊接连接阀盖，全径，明杆支架(OS & Y)末端连接为承插连接，设计按ASME B16.34
Welded bonnet, full port outside screw and yoke(OS & Y)Socket welded ends, design conform to ASME B 16.34

CL1500-CL2500									
规格(NPS) Specification	F.P		1/2	3/4	1	1 1/4	1 1/2	2	2 1/2
结构长度(mm) Face to face	L	CL1500	110	150	150		210	235	
		CL2500	150	150	210		235	235	
手轮直径(mm) Hand wheel diameter	W	CL1500	110	130	130		180	250	
		CL2500	130	130	250		300	300	
中心高度(开)(mm) Height	H	CL1500	277	300	390		400	435	
		CL2500	293	300	390		435	435	
流道孔径(mm) Flow port diameter	d	CL1500	14	17	22		35	37	
		CL2500	14	14	14		25	30	
重量Weight(kg)		CL1500	5.1	11	12.1		22	37	
		CL2500	11	11.3	22.4		38	38	



焊接连接阀盖，全径，明杆支架(OS & Y)末端连接为承插连接，设计按ASME B16.34
Welded bonnet, full port outside screw and yoke(OS & Y)Socket welded ends, design conform to ASME B 16.34

CL1500-CL2500									
规格(NPS) Specification	R.P		3/8	1/2	3/4	1	1 1/4	1 1/2	2
结构长度(mm) Face to face	L	CL900~1500	140	140	140	140	178	178	216
		CL2500	186	186	186	186	232	232	279
手轮直径(mm) Hand wheel diameter	W	CL900~1500	200	200	200	200	280	280	300
		CL2500	200	200	200	200	280	280	300
中心高度(开)(mm) Height	H	CL900~1500	318	318	318	318	467	468	540
		CL2500	325	325	325	325	467	468	540
流道孔径(mm) Flow port diameter	d	CL900~1500	14	14	14	14	25	30	36.5
		CL2500	14	14	14	14	25	30	36.5
重量Weight(kg)		CL900~1500	11.5	11.5	10.8	10.5	19.6	21.0	55.4
		CL2500	10.8	11.6	12.3	12.3	26.0	28.4	60.0



FORGED STEEL FLANGE GATE VALVE 锻钢法兰闸阀

Scientific Technological Innovation
Source of Prosperity

螺栓连接阀盖，缩径，明杆支架(OS & Y)末端连接为法兰或对焊连接，设计按API602;BS5352
Bolted bonnet, reducing port outside screw and yoke(OS & Y) Flange-or butt-welded ends; design to API602;BS5352

CL150-300-600											
规格(NPS)Specification			1/4	3/8	1/2	3/4	1	1 1/4	1 1/2	2	2 1/2
结构长度(mm) Face to face	CL150	L(RF) L1(BW)	-	-	108	117	127	140	165	178	190
	CL300		-	-	140	152	165	178	190	216	241
	CL600		-	-	165	190	216	229	241	292	330
手轮直径(mm)Hand wheel diameter		W	-	-	100	100	125	160	160	180	200
中心高度(开)(mm) Height	CL150	H	-	-	176	184	217	226	250	290	357
	CL300,CL600		-	-	161	163	196	226	250	290	357
流道孔径(mm)Flow port dimension		d	-	-	10	13.5	18	24	29	36.5	45
重量Weight(kg)	CL150	RF	-	-	3.4	3.98	6.12	7.2	10.4	15.5	24.5
		BW	-	-	2.8	3.3	5.4	6.5	8.2	12.5	20
	CL300	RF	-	-	3.77	4.89	7.23	9.6	12.64	18	26.2
		BW	-	-	3.5	4.4	6.8	8.1	9.2	15.4	22
	CL600	RF	-	-	4.2	5.8	8.8	12.1	15.6	19.5	32
		BW	-	-	4.5	5.1	8.2	10.5	12.4	20.1	28

螺栓连接阀盖，全径，明杆支架(OS & Y)末端连接为焊接法兰或对焊连接，设计按BS5352
Bolted bonnet, full port outside screw and yoke(OS & Y) Flange-welded or butt-welded ends; design to BS5352

CL900-CL1500										
规格(NPS)Specification			1/4	3/8	1/2	3/4	1	1 1/4	1 1/2	2
结构长度(mm) Face to face	L(RF),L1(BW)	-	-	216	229	254	279	305	368	
	L(RTJ)	-	-	216	229	254	279	305	371	
手轮直径(mm) Hand wheel diameter	W	-	-	125	125	160	180	200	220	
中心高度(开)(mm) Height	H	-	-	191	192	219	257	296	316	
流道孔径(mm) Flow port dimension	d	-	-	13.5	18	24	29	36.5	45	
重量Weight(kg)		-	-	7.2	11.5	15.6	16.2	22.6	28.2	

螺栓连接阀盖(RJ),全径，明杆支架(OS & Y)末端连接为焊接法兰或对焊连接，设计按ASME B 16.34
Bolted bonnet, full port outside screw and yoke(OS & Y) Flange-welded or butt-welded ends; design to ASME B 16.34

CL2500										
规格(NPS)Specification			1/4	3/8	1/2	3/4	1	1 1/4	1 1/2	2
结构长度(mm) Face to face	L(RF),L1(BW)	-	-	264	273	308	-	384	451	
	L(RTJ)	-	-	264	273	308	-	387	454	
手轮直径(mm) Hand wheel diameter	W	-	-	125	160	160	-	200	240	
中心高度(开)(mm) Height	H	-	-	207	240	258	-	355	370	
流道孔径(mm) Flow port dimension	d	-	-	13.5	13.5	19	-	30	36.5	
重量Weight(kg)		-	-	19.5	21.5	42	-	65	95	

压力自紧式密封闸阀，全径，明杆支架(OS & Y)末端连接为焊接法兰或对焊连接，设计按ASME B 16.34
Pressure seal gate valves, full port outside screw and yoke(OS & Y) Flange-welded or butt-welded ends; design to ASME B 16.34

CL2500										
规格(NPS)Specification			1/4	3/8	1/2	3/4	1	1 1/4	1 1/2	2
结构长度(mm) Face to face	L(RF),L1(BW)	-	-	264	273	308	-	384	451	
	L(RTJ)	-	-	264	273	308	-	387	454	
手轮直径(mm) Hand wheel diameter	W	-	-	200	200	200	-	280	300	
中心高度(开)(mm) Height	H	-	-	325	325	327	-	478	540	
流道孔径(mm) Flow port dimension	d	-	-	13.5	13.5	19	-	30	36.5	
重量Weight(kg)		-	-	14.6	16.8	17.6	-	25	31.9	

